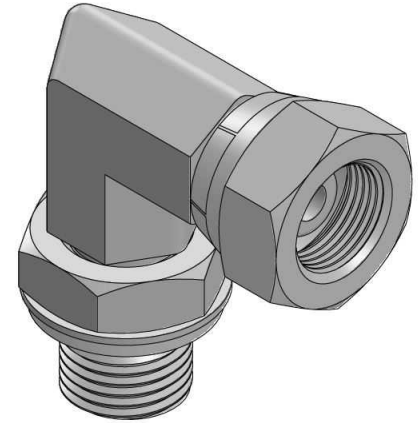
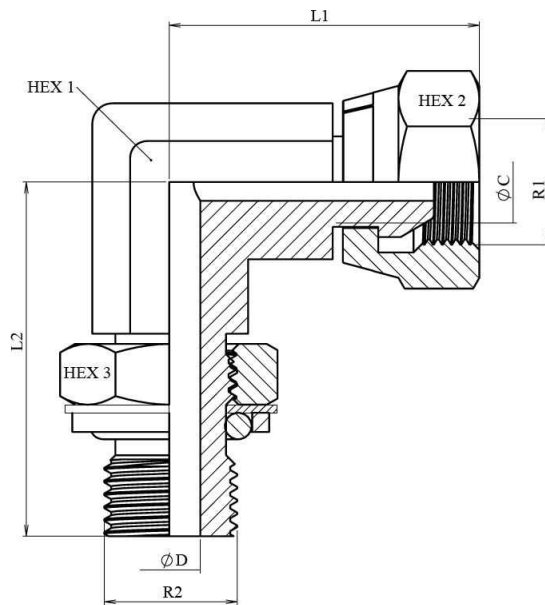


**90° Elbow male adjustable BSP-swivel female BSP
forge**

Carbon steel



Part n°	R1	R2	L1	L2	HEX 1	HEX 2	HEX 3	ØC	ØD
S119104	1/4" BSP	1/4" BSP	24	31,5	14	19	19	4,7	7,5
S119106	3/8" BSP	3/8" BSP	28	37	19	22	22	8	10
S119108	1/2" BSP	1/2" BSP	28,5	43	22	27	27	11,1	12,3
S119112	3/4" BSP	3/4" BSP	38	50	27	32	32	15,5	16,7
S119116	1" BSP	1" BSP	44	54	36	41	41	19	22